

WSX SERIES Outdoor Lighting

WSX-20-40W-MCTP-HLA

15" LONG HORIZONTAL ARM

MCTP Multi Color Temperature & Multi Power/Wattage (Selectable)

WESTGATE
THE FUTURE IS HERE...AND IT'S QUITE BRIGHT!



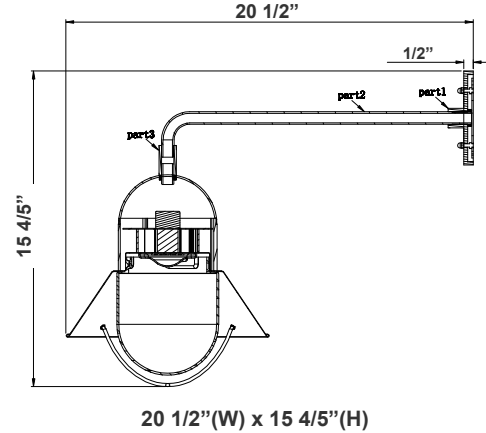
LED Seaside Outdoor Wall Lantern with aluminum housing & powder-coated finish, acrylic diffuser. Ideal for general site lighting, residential buildings, doorway, pathway and parking areas.

Customer Name: _____

Project Name: _____

Note: _____

Type: _____



Features

- Aluminum Housing and Steel Back Plate
- White Glass Lens
- 7-Year Warranty
- Multi CCT Power Switch is Inside Fixture

Technical Specifications

Electrical:

- Voltage: 120-277V AC 60Hz
- Wattage: 20W/30W/40W
- Power Factor: >0.90
- Efficacy: 100 LPW

Mechanical:

- Aluminum Housing and Steel Back Plate
- White Glass Lens
- Operating Temperature: -4°F to 104°F
- Wet Location
- 7-Year Warranty
- IP42, Suitable for outdoor use

Lighting:

- Dimming: Dimming: (Dual Function) Triac Dimmable at 120V & 0-10V Dimming at 120-277V
- Total Lumens: 4000LM Max.
- Color Temperatures: 3000K/4000K/5000K
- Color Rendering Index: CRI ≥ 80
- Beam Angle: 90° x 110°
- Rated life: 70,000 Hrs

Applications:

- LED Seaside Outdoor Wall Lantern with aluminum housing & powder-coated finish, acrylic diffuser. Ideal for general site lighting, residential buildings, doorway, pathway and parking areas.

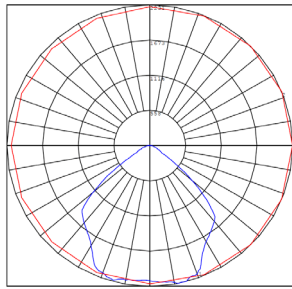
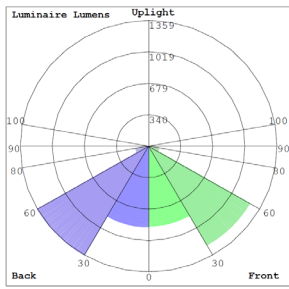


Phone: (877) 805-2252 | Fax: (877) 805-2252
www.westgatemfg.com

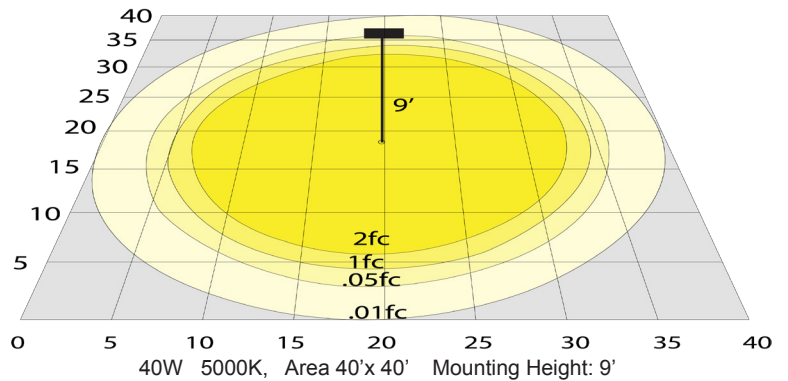


WG-07212022

Photometrics: WSX-20-40W-MCTP-HLA



BUD Rating: B2-U1-G1



Other Views:



Side View



Front View



Back View

Performance Table: WSX-20-40W-MCTP-HLA

MODEL NO.	Wattage	Voltage	Lumens	Color Temp.	BUG Ratin	LPW
WSX-20-40W-MCTP-HLA	20W 30W 40W	120-277V	2000LM 3000LM 4000LM	3000K 4000K 5000K	B2-U1-G1	100

Sample Ordering

Model Min. Watt Max. Watt Color Temp. Housing

WSX - 20 - 40W - MCTP - HLA

Accessories:

Blank = No Option For Accessories
 WSX-RL-WH = WSX Original White Lens Replacement (Default Lens)
 WSX-RL-FR = WSX Optional Frosted Lens
 WSX-RL-AB = WSX Optional Alabaster Lens

Factory-Installed Options:

Blank = No Option For Accessories
 OPT-WSX-WG = Factory-Installed Wire Guard
 OPT-PC-BUM = Button Photocell
 OPT-EM-WSX = Factory-Installed EM with Back Box
 OPT-SEN-WSX = Factory-Installed BI-Level Motion Sensor Installed with Back Box

ACCESSORIES:



WSX-RL-WH



WSX-RL-FR



WSX-RL-AB

FACTORY-INSTALLED OPTIONS:



OPT-PC-BUM



OPT-WSX-WG



OPT-EM-WSX



OPT-SEN-WSX

Back Box Dimensions: 7" x 1.6"

