

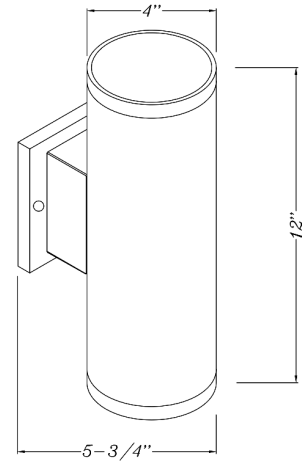
JOB NAME: _____

DATE: _____

TYPE: _____



DIMENSIONS:



- WMC-UDL-20W-50K-BR**
- WMC-UDL-20W-30K-BR**
- WMC-UDL-20W-50K-BN**
- WMC-UDL-20W-30K-BN**

LED WALL MOUNT CYLINDER LIGHTS

Ideal for general site lighting, walkways and stairways, alleys, loading docks, doorway, pathway and parking areas

ELECTRICAL SPECIFICATIONS:

- Voltage: 120V,
- Wattage: 20W (Up/Down light, 10W per end)
- Efficacy: 76LM/W

HOUSING SPECIFICATIONS:

- Outdoor Wall Cylinders
- Housing: Die-cast aluminum
- Finish: Bronze & Brushed Nickel
- Lifespan: 70,000 hr.
- providing a reliable weather-tight seal
- IP Rating: IP65, Suitable for Wet Locations

CERTIFICATIONS: ETL



LIGHTING SPECIFICATIONS:

- Light directions: UP/DOWN
- Dimmable: TRIAC Dimming
- LED: COB technology with prismatic reflector
- Lens: frosted lens
- Total lumens: 1667LM
- Color temperature: 5000K/3000K
- Color rendering index: >80
- Beam Angle: 40° for each side

WARRANTY: 7 years



Rev. 2018-04-12

