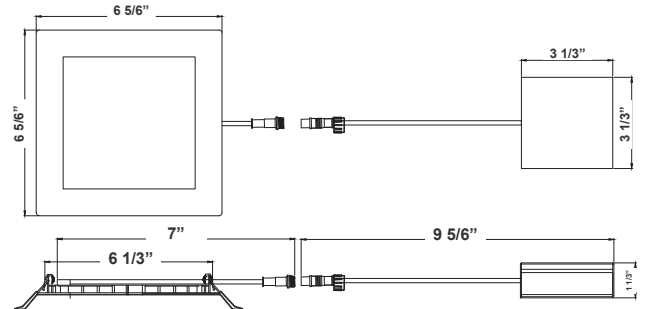


# SSL SERIES RESIDENTIAL LIGHTING

SSL6-MCT5  
LED ULTRA SLIM RECESSED LIGHTS



Customer Name: \_\_\_\_\_  
Project Name: \_\_\_\_\_  
Note: \_\_\_\_\_ | Type: \_\_\_\_\_



6 5/6" x 3 1/3"

LED DOWNLIGHTS (SMOOTH TRIM) - 6" SQUARE Ideal for New As Well As Old Residential And Commercial Constructions.

## Features

- 6" Smooth Recessed Trim
- Multi CCT (Selectable Switch on the Back of the driver )
- Isolated Driver for Improved Thermal Management
- 5-Year Warranty
- Spun Aluminum with White Powder Coat Finish

## Technical Specifications

### Electrical:

- Voltage: 120V AC
- Output Voltage: 36VDC
- Power Factor: >0.90
- Wattage: 15W
- Efficacy: 70 LPW
- Total Harmonic Distortion: ≤15 %

### Mechanical:

- 1/4" Thick
- Die-cast Aluminum with white powder coat finish
- Pot Light Housing is Not Required Even for Insulated Ceiling
- Junction box 1" Thick Included with Fixture
- Typel Crated: Approved for direct contact with insulation
- Maximum Ambient Temperature: -40°F to 104°F
- Damp Location
- 5-Year Warranty

### Lighting:

- Dimming: Dimmable
- Lens: 0.125" White Translucent Acrylic
- Can Rotate after Installation to Align
- LED: Seoul DOB (Driver On Board) Technology
- Optics: White Translucent Acrylic
- Total Lumens: 1125LM
- Color Temperatures: 2700K/ 3000K/ 3500K/ 4000K/ 5000K
- Multi CCT (Selectable Switch on the Back of the driver)
- Color Rendering Index: CRI ≥ 80
- Beam Angle: 100°-110°
- Rated life: 50,000 hrs

### Applications:

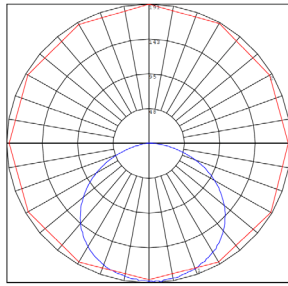
- LED retrofit trim have been designed to be a flexible lighting solution for retrofit and new construction applications, Ideal for closets, storage areas, attics, corridors, or general lighting solutions for residential and commercial applications

### Other Models:

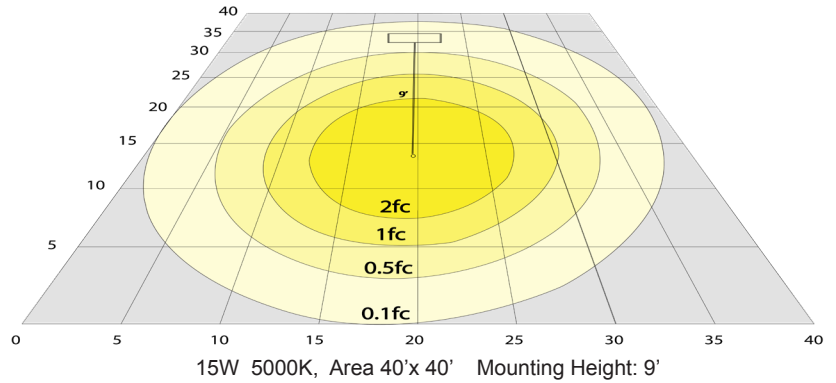
- 9W | 630LM | SSL4-MCT5
- 24W | 1800LM | SSL12-MCT5



## Photometrics: SSL6-MCT5



BUG Rating: B1-U2-G1



## Other Views:



Side View



Front View



Junction box 1-1/4" thick included with fixtures  
Back View

## Performance Table: SSL6-MCT5

| MODEL NO. | Wattage | Voltage | Lumens | Color Temp. | BUG Rating | LPW |
|-----------|---------|---------|--------|-------------|------------|-----|
| SSL6-MCT5 | 15W     | 120V    | 1125LM | 2700K       | B1-U2-G1   | 70  |
|           |         |         |        | 3000K       |            |     |
|           |         |         |        | 3500K       |            |     |
|           |         |         |        | 4000K       |            |     |
|           |         |         |        | 5000K       |            |     |

## Sample Ordering

**Model**      **Color Temp.**

SSL6      -      MCT5

### Accessories:

Blank = No Option For Accessories

RSL-EXT-10FT-MCT = 10 FT. EXTENSION CABLE FOR USE WITH ALL SLIM LIGHT

SSL6-RI = 6" Square Rough-in Plate, 26" Long

RSL-346-RIBH = 3", 4", 6" (ADJUSTABLE) ROUND GALVANIZED PLATE WITH BAR HANGERS

SSL6-TRM-BK = 6" Black Clip-on Trim

SSL6-TRM-ORB = 6" Oil-rubbed Bronze Clip-on Trim

SSL6-TRM-CU = 6" Copper Clip-on Trim

SSL6-TRM-BZ = 6" Bronze Clip-on Trim

SSL6-TRM-BN = 6" Brushed Nickel Clip-on Trim

SSL6-TRM-CH = 6" Chrome Clip-on Trim

### Factory-Installed Option:

Blank = No Option For Accessories

OPT-EM-DL1EXT = EXTERNAL BATTERY BACKUP

## Example:

1. SSL6-MCT5

(FOR RSL6 15W MCT5 FIXTURE 120V)

2. SSL6-MCT5  
OPT-EM-DL1EXT

(FOR RSL6 15W MCT5 FIXTURE 120V)  
(EXTERNAL BATTERY BACKUP)

# WESTGATE

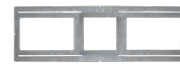


### ACCESSORIES:



**E-26**

Includes Medium Base E-26 Screw-in Adapter That Fits Any Standard



**SSL6-RI**

6" Square Rough-in Plate, 26" Long

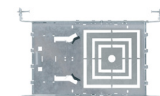


**RSL-EXT-10FT-MCT**

10 Ft. Extension Cable For use with all Slim Light



**Clip-on Trims**  
BK ORB CU BZ BN CH



**SSL-346-RIBH**

3", 4", 6" (Adjustable) Square Galvanized plate with Bar Hangers

### FACTORY-INSTALLED OPTION:



**OPT-EM-DL1EXT**  
EXTERNAL BATTERY BACKUP

## Compatible Dimmer List:

| MODEL NO.      | BRAND          |
|----------------|----------------|
| 6631-1LT       | LEVITON        |
| MACL-153MLH-AL | LUTRON         |
| TGCL-153PH-LA  | LUTRON         |
| DVW-603PGH-WH  | LUTRON         |
| CT-600PR-WH    | LUTRON         |
| LGCL-153PHL-IV | LUTRON         |
| TGCL-153PH-LA  | LUTRON         |
| LSLV603PWV     | LUTRON         |
| 6674-POW       | LEVITON        |
| DVCL-153P      | LUTRON         |
| MSCL-OP153P    | LUTRON         |
| CTCL-153P      | LUTRON         |
| MACL-153M      | LUTRON         |
| HCL453PTCCCV6  | PASS & SEYMOUR |
| LSLV603PWV     | PASS & SEYMOUR |

