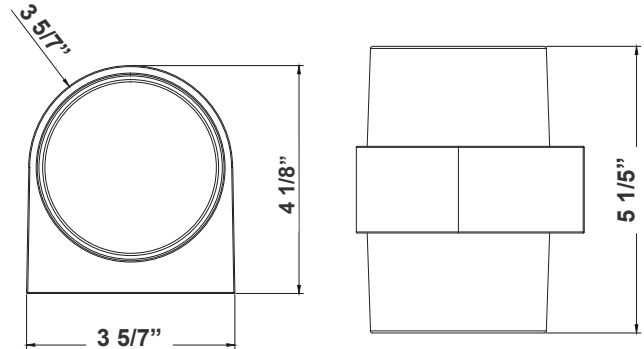


LVW SERIES Outdoor Lighting

LVW-110-UD-MCT-ORB
12V LED MINI WALL SCONCE



Customer Name: _____
Project Name: _____
Note: _____ | Type: _____



3 5/7" (W) x 4 1/8" (H) x 5 1/5" (D)

LED 12V mini wall light with double-walled clear/frosted lens is ideal for general site lighting, landscape canopies, doorway, pathway and parking areas.

Features

- Back plate: Die-cast aluminum
- Polycarbonate Lens
- 3-Year Warranty
- Multi CCT Switch is Inside Fixture

Technical Specifications

Electrical:

- Voltage: 12V AC
- Wattage: 6W
- Power Factor: >0.90
- Efficacy: 66.7 LPW

Mechanical:

- Back plate: Die-Cast Aluminum with Mounting/Gasket Installed
- Color: Oil-Rubbed Bronze
- Polycarbonate Lens
- Operating Temperature: -4°F to 104°F
- Wet Location
- 3-Year Warranty
- IP54

Lighting:

- Multi CCT Switch is Inside Fixture
- Total Lumens: 400LM
- Color Temperatures: 3000K/ 4000K/ 5000K
- Color Rendering Index: CRI ≥ 90
- Beam Angle: 90° x 110°
- Rated life: 50,000 Hrs

Applications:

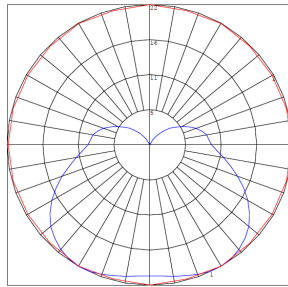
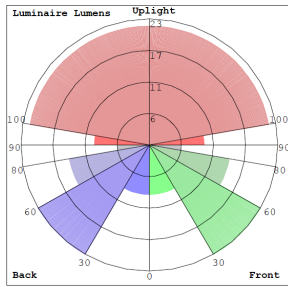
- LED 12V mini wall light with double-walled clear/frosted lens is ideal for general site lighting, landscape canopies, doorway, pathway and parking areas.

Other Models:

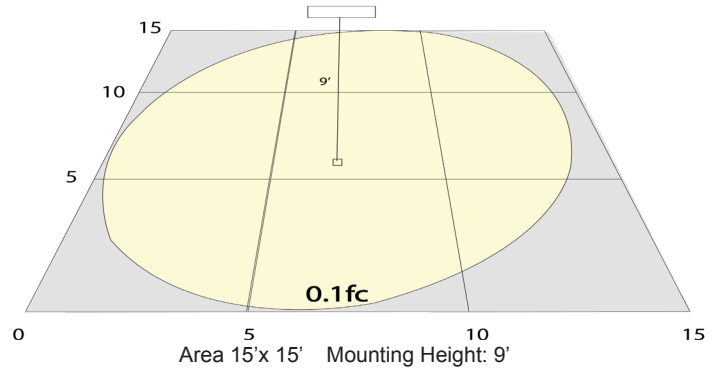
- 3W | 200LM | LVW-110-MCT-ORB



Photometrics: LVW-110-UD-MCT-ORB



BUD Rating: B0-U3-G0



Other Views:



Side View



Front View



Back View

Performance Table: LVW-110-UD-MCT-ORB

MODEL NO.	Wattage	Voltage	Lumens	Color Temp.	BUG Rating	LPW
LVW-110-UD-MCT-ORB	6W	12V	400LM	3000K 4000K 5000K	B0-U3-G0	66.7

Sample Ordering

Model Lighting Color Temp. Housing
 LVW - 110 - UD - MCT - ORB

Other Models:



LVW-110-MCT-ORB

