

# LTRB SERIES

Commercial Lighting

# WESTGATE

THE FUTURE IS HERE...AND IT'S QUITE BRIGHT!

LTRB-2X2-MCTP



Selection:

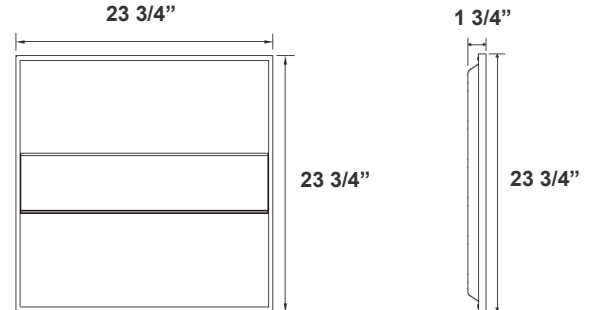


Customer Name: \_\_\_\_\_

Project Name: \_\_\_\_\_

Note: \_\_\_\_\_

Type: \_\_\_\_\_



23 3/4" (L) x 23 3/4" (H) x 1 3/4" (D)

This indoor commercial LED Blacklit panel light is ideal for hotels, offices, retail outlets, restaurants, parking garages, storage rooms, conference rooms, education facilities, and more.

## Features

- Soft and Wide Light-Emitting
- 50,000 Hours Rated Life
- No infrared rays, No Ultraviolet Radiation, No Thermal Effect
- Earthquake hooks and Suspension Hooks Pre-Installed
- No flickering, No humming, No RF interference
- Multi Color Temperature & Multi Power (Selectable Switch on Back of Fixture)

## Technical Specifications

### Electrical:

- Voltage: AC120V-277V 50/60Hz
- Power Factor: >0.90
- Wattage: 25W/30W/35W
- Efficacy: 110 LPW
- Fixture Operating Voltage: 36VDC
- Rated Input Current (mA): 337/ 253/ 168mA
- Total Harmonic Distortion: ≤ 20 %

### Mechanical:

- White Finish
- Earthquake Hooks and Suspension Hooks pre-installed
- External driver mounted on top
- Operating Temperature: -68°F~104°F
- 5-Year Warranty

### Lighting:

- Dimmable: 0~10V Dimming
- Total Lumens: 2750LM/3300LM/3850LM
- Color Temperatures: 3500K/4000K/5000K
- Multi CCT & Multi Power (selectable switch on back of fixture)
- Color Rendering Index: CRI ≥ 80
- Beam Angle: 110°
- Rated life: 50,000 hrs

### Applications:

- Ideal for hotel, offices, retail outlets, restaurant, parking garages, storage room, conference room, education facilities and more.

### Other Models:

- 40W | 4400LM | LTRB-1X4-MCTP
- 50W | 5500LM | LTRB-2X4-MCTP

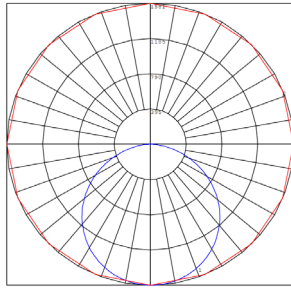
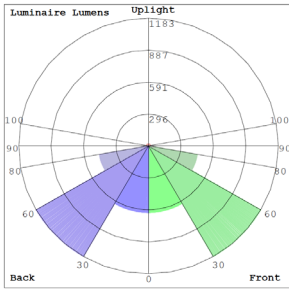


Phone: (877) 805-2252 | Fax: (877) 805-2252  
www.westgateimg.com |

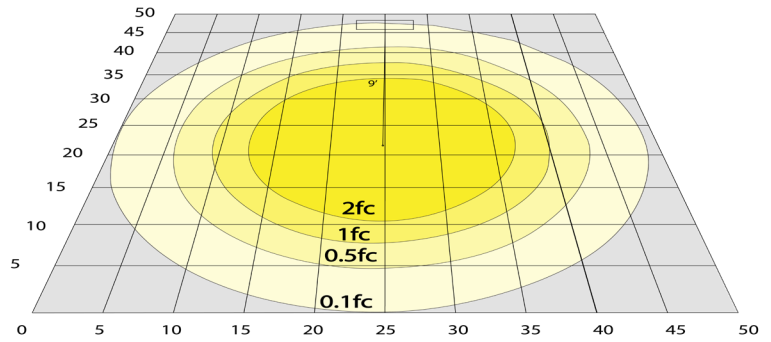


W/G-02142022

## Photometrics: LTRB-2X2-MCTP



BUD Rating: B2-U2-G1



Simulation Based on 4000K Area 50'x 50' Mounting Height: 9'

## Other Views:



Side View



Front View



Back View

## Performance Table: LTRB-2X2-MCTP

MODEL NO.	Wattage	Voltage	Lumens	Color Temp.	BUG Rating	LPW
LTRB-2X2-MCTP	25W 30W 35W	120~277V	2750LM 3300LM 3850LM	3500K/ 4000K/ 5000K	B2-U2-G1	110

## Sample Ordering

**Model**      **Size**      **Watt/Color Temp.**

LTRB - 2X2 - MCTP

## Accessories:



Blank = No Option For Accessories  
 LTRB-RMK-2X2 = RECESSED MOUNTING FLANGE (FRAME-IN) KIT FOR INSTALLATION IN HARD SURFACES  
 LTRB-SRFC-2X2 = SURFACE MOUNTING KIT FOR LTRB-2X2  
 WEC-2CPDR = MOTION SENSOR

## Factory-Installed Options:



Blank = No Option For Accessories  
 OPT-EM-LP = EXTERNAL EMERGENCY BACKUP BATTERY  
 OPT-FWH-63 = 6FT 3-WIRE WHIP  
 OPT-FWH-65 = 6FT 5-WIRE WHIP  
 OPT-FWH-66 = 6FT 6-WIRE WHIP

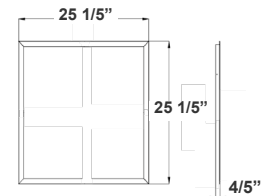
## Example:

- LTRB-2X2-MCTP (FOR LTRB 2X2 MCTP FIXTURE 120-277V)
- LTRB-2X2-MCTP (FOR LTRB 2X2 MCTP FIXTURE 120-277V)  
 LTRB-SRFC-2X2 (SURFACE MOUNTING KIT FOR LPNG-2x2)
- LTRB-2X2-MCTP (FOR LTRB 2X2 MCTP FIXTURE 120-277V)  
 LTRB-SRFC-2X2 (SURFACE MOUNTING KIT FOR LPNG-2x2)  
 OPT-EM-LP (EMERGENCY BACKUP BATTERY)

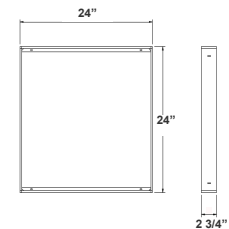
## ACCESSORIES and MOUNTING KIT:



LTRB-RMK-2X2



LTRB-SRFC-2X2



WEC-2CPDR-3

## FACTORY-INSTALLED OPTIONS:



OPT-EM-LP



OPT-FWH-63  
 OPT-FWH-65  
 OPT-FWH-66

