

LFXPRO SERIES Outdoor Lighting

LFXPRO-XL-150-300W-MCTP-BK



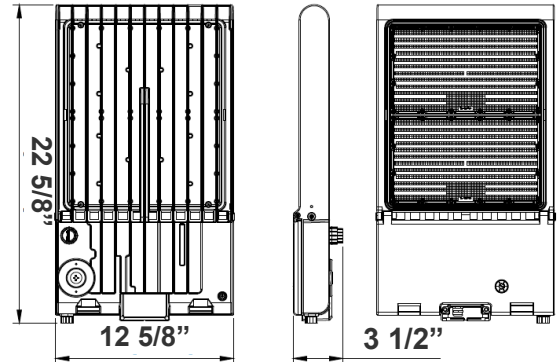
Ideal for general site lighting, alleys, loading docks, doorway, pathway, and parking areas.

Customer Name: _____

Project Name: _____

Note: _____

Type: _____



22 5/8" (L) x 12 5/8" (W) x 3 1/2" (H)

Features

- LED Flood Light
- With snap-on & bolt mounting options for one-person Installations.
- Select a mounting option (Sold separately)
- 70,000 Hours Rated Life
- 7-Year Warranty
- Optic Lens Type: III
- Multi-CCT & Multi-Power - The Switches are on the Bottom of the Fixture

Technical Specifications

Electrical:

- Voltage: 100-277V AC 50/60Hz
- Wattage: 150W/ 200W/ 240W/ 300W
- Power Factor: >0.9
- Output Current: 0.25A
- Efficacy: 125 LPW
- THD: <20%

Mechanical:

- Housing: Die-cast Aluminum Housing with Powder Coat Finish (Black)
- 10KV Lightning Surge Protection
- Operating Temperature: -40°F to 104°F
- IP Rating: IP65
- Suitable for Wet Locations
- Effective projected areas (EPA's) are:
Front = 0.38 square feet
Side = 0.30 square feet
Face = 1.05 square feet

Lighting:

- Dimmable: 0~10V
- Solid State Lighting technology for long life, no Maintenance needed and High-Efficiency
- Lens Type: Optical TYPE III Lens, High Light Transmittance PC, Anti-UV and Flame Resistant
- Cord Type: 3.2' SJTW 18/3 AWG cable
- Total lumens: 38000LM Max.
- Color temperature: 3000K/ 4000K/ 5000K/ 5700K
- Color rendering index: CRI ≥ 70
- Beam Angle: 90°x120°

Applications:

- Ideal for general site lighting, alleys, loading docks, doorway, pathway and parking areas.
- Replace existing HID flood lights/ wall packs

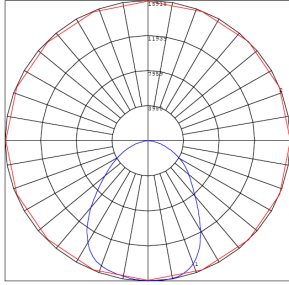
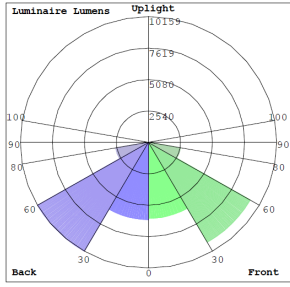
Other Models:

- 150W | 19200LM | LFXPRO-LG-50-150W-MCTP-BK

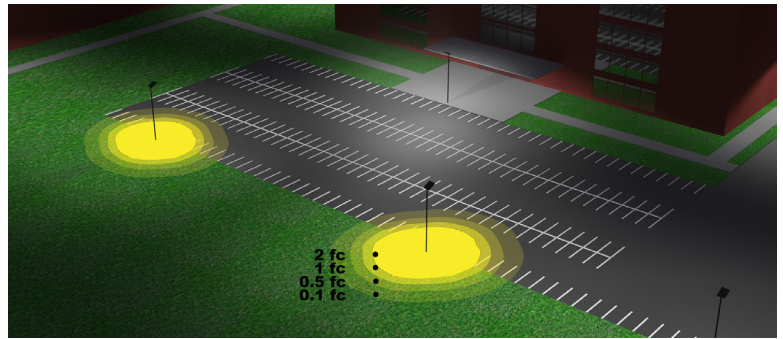


Photometrics: LFXPRO-XL-150-300W-MCTP-BK

TYPE III



BUG Rating: B4-U0-G1



Area 65'x 75' Mounting Height: 20'

Other Views:



Side View



Front View



Back View

Performance Table: LFXPRO-XL-150-300W-MCTP-BK

MODEL NO.	Wattage	Voltage	Lumens	Color Temp.	BUG Rating	LPW
LFXPRO-XL-150-300W-MCTP-BK	150W	120~277V	22400LM	3000K 4000K 5000K 5700K	B4-U0-G1	125
			23000LM			
			23800LM			
	23800LM					
	200W		28200LM			
			29100LM			
			30000LM			
	240W		30000LM			
			32600LM			
			33600LM			
			34650LM			
			34650LM			
			300W			
	37500LM					
	38000LM					
38000LM						
38000LM						

Sample Ordering

Model	Size	Min. Wattage	Max. Wattage	Color Temp.	Housing
LFXPRO	XL	150	300W	MCTP	BK



Accessories Options

Blank = No Option For Accessories
 WEC-8RC = Optional Motion Sensor Remote Control

Factory-Installed Options

Blank = No Option For Accessories
 OPT-EM-OD2EXT = Emergency Battery Backup
 OPT-3MPC = Microwave Photocell with a 1/2" threaded
 OPT-SEN-3MR-3 = Programmable Microwave Bi-Level Sensor

Example:

- 1.LFXPRO-XL-150-300W-MCTP-BK (For LFXPRO 300W MCTP fixture 120-277V)
- 2.LFXPRO-XL-150-300W-MCTP-BK (For LFXPRO 300W MCTP fixture 120-277V)
 WEC-8RC (Remote Control)

ACCESSORIES:



WEC-8RC

Factory-Installed Options:



OPT-SEN-3MR-3

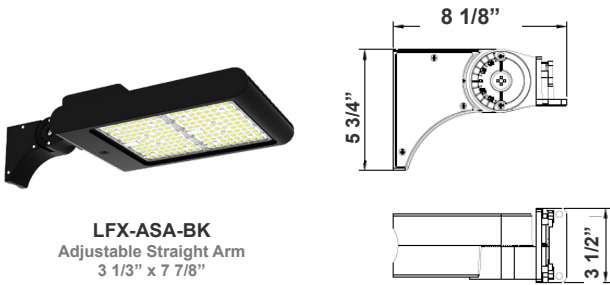


OPT-3MPC



OPT-EM-OD2EXT

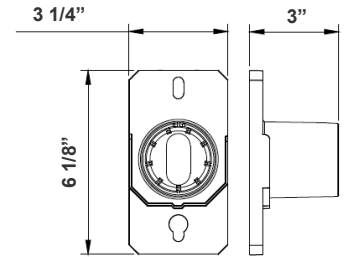
Mounting Options:



LFX-ASA-BK
 Adjustable Straight Arm
 3 1/3" x 7 7/8"



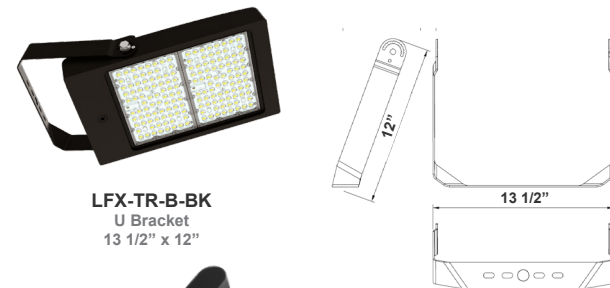
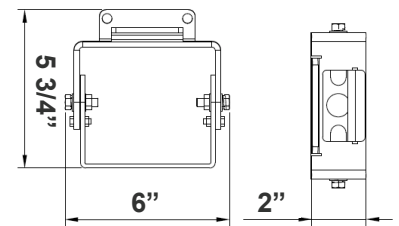
LFX-SF-BK + LFX-PASF-BK
 Pole Adapter for Slip Fitter 6 1/8"
 x 3 1/4" x 3"



LFX-EXT-BK
 Straight Arm
 3 1/3" x 6 3/4" x 4 3/8"



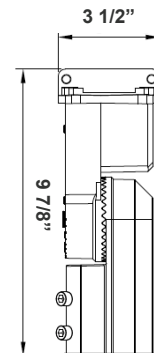
LFX-YK-BK
 Yoke
 5 3/4" x 6" x 2"



LFX-TR-B-BK
 U Bracket
 13 1/2" x 12"



LFX-SF-BK
 Slip Fitter
 3 1/3" x 7 7/8"
 Inside Diameter: 2-3/4"



LFX-AWB-BK
 Adjustable Wall Junction Box
 7 1/8" x 6 5/8" x 5 3/4"



Color Options: LFXPRO-XL-150-300W-MCTP-BK
 Custom Color Available

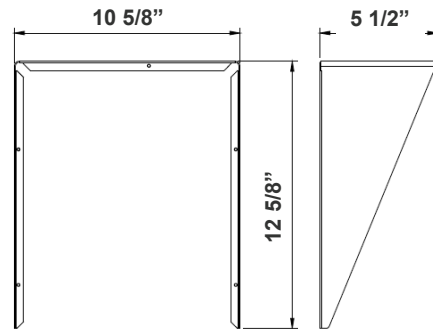
Black Silver White **Dark Bronze** Green Red Yellow
 Default color



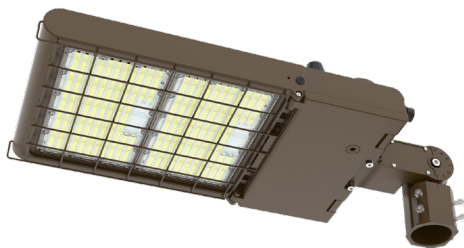
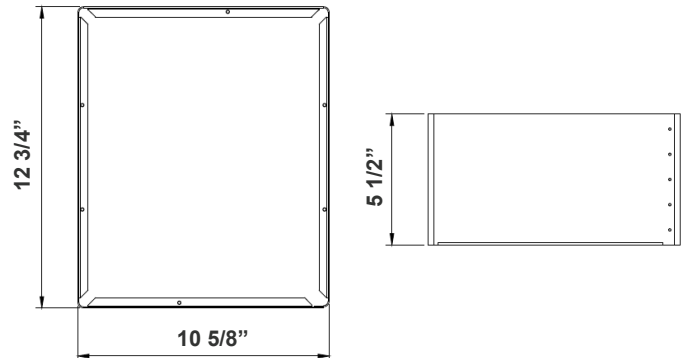
Shroud & Wire Guard:



LF-SHROUD-B
 Shroud
 12 5/8" x 10 5/8" x 5 1/2"
 Can be painted



LF-SHROUD-E
 Full-Glare Shroud
 12 3/4" x 10 5/8" x 5 1/2"
 Can be painted



LFXPRO-WG-B
 Wire Guard
 Can be painted

