

GPE SERIES Outdoor Lighting

GPE-60-100W-MCTP

POWER & CCT- ADJUSTABLE GARDEN POST-TOP LIGHTS

MCTP Multi Color Temperature & Multi Power/Wattage (Selectable)

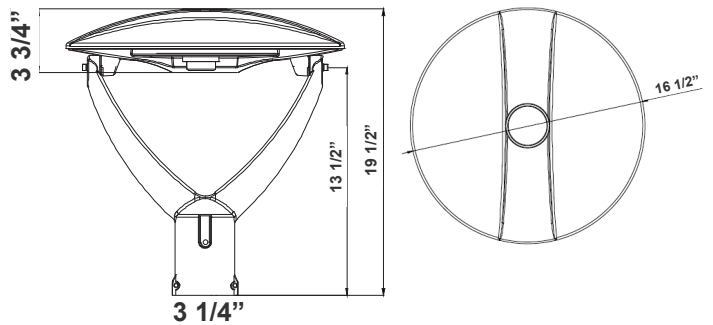
WESTGATE
THE FUTURE IS HERE...AND IT'S QUITE BRIGHT!

Customer Name: _____

Project Name: _____

Note: _____

Type: _____



19 1/2" (H) x 16 1/2" (D)

Ideal for airports, auto dealerships, corporate offices, education, government, healthcare, industrial warehouses, municipal parking, gas stations, convenient stores, recreation and public venues, restaurants, hospitality, retail and grocery stores.

Features

- Aluminum Housing ,Outdoor Powder Coated
- Fits On 3" OD Pipes/Pole
- 7-Year Warranty
- Multi CCT and Power: Selectable Switch Inside Of The Fixture

Technical Specifications

Electrical:

- Voltage: 100-277V AC 50/60Hz
- Wattage: 60W/80W/100W
- Power Factor: 0.95
- Efficacy: 130LM/W

Mechanical:

- Aluminum Housing , Outdoor Powder Coated
- Reducer from 3" Inner Diameter to 2.5" Available
- Twin (Double) Arm
- For 3" OD Pole/Pipe
- Programmable Bi-Level Motion Sensor & Emergency Backup Options
- Operating Temperature: -40°F to 104°F
- IP Rating: IP66, Suitable for Wet Locations
- 7-Year Warranty

Lighting:

- Multi CCT and Power: Selectable Switch Inside Of The Fixture
- Dimmable: 0~10V Dimming
- LED: SMD 3030
- Total Lumens: 13000LM Max.
- Color Temperature: 3000K/4000K/5000K
- Color Rendering index: >70
- Beam Angle: Type V (150° X 150°)
- Lifespan: 70000 Hrs.

Applications:

- Ideal For Garden, Amusement Park, Residential Quater , Industrial Park And Pedestrian street.

Other Model:

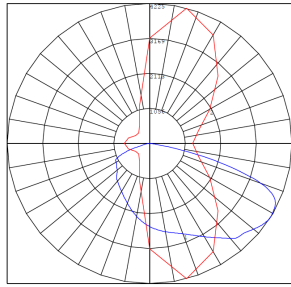
- 130W | 7800LM | GPE-30-60W-MCTP



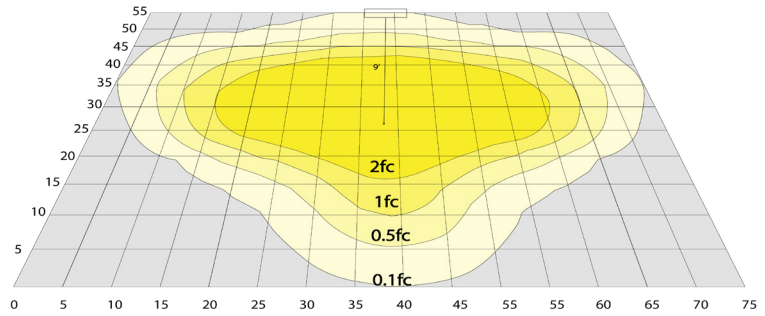
Phone: (877) 805-2252 | Fax: (877) 805-2252
www.westgatemfg.com



Photometrics: GPE-60-100W-MCTP



BUD Rating: B1-U1-G0



20W 5000K, Area 55'x 75' Mounting Height: 9'

Other Views:



Twin Arm Mount



Top View



Fold For Shipment

Performance Table: GPE-60-100W-MCTP

MODEL NO.	Wattage	Voltage	Lumens	Color Temp.	BUG Rating	LPW
GPE-60-100W-MCTP	60W 80W 100W	120-277V	7800LM 10400LM 13000LM	3000K 4000K 5000K	B1-U1-G0	130

Sample Ordering

Model Min. Watt Max. Watt Color Temp.

GPE - 60 - 100W - MCTP

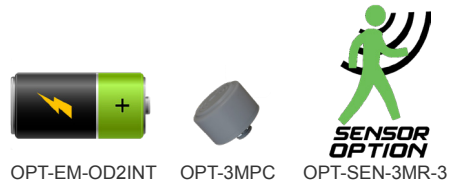
Accessory:

Blank = No Option
GPE-30-25-REDUCER = GPE Neck Reducer from 3" Inner Diameter to 2.5"

Factory Installed Options:

Blank = No Option
OPT-EM-OD2INT = INTERNAL EMERGENCY BACK UP BATTERY
OPT-3MPC = MICROWAVE PHOTOCCELL
OPT-CLR-95(BK/GR/SR/WH) = COLOR PAINT
OPT-SEN-3MR-3 = BI-LEVEL MICROWAVE SENSOR
WEC-8RC = REMOTE CONTROL

FACTORY INSTALLED OPTIONS:

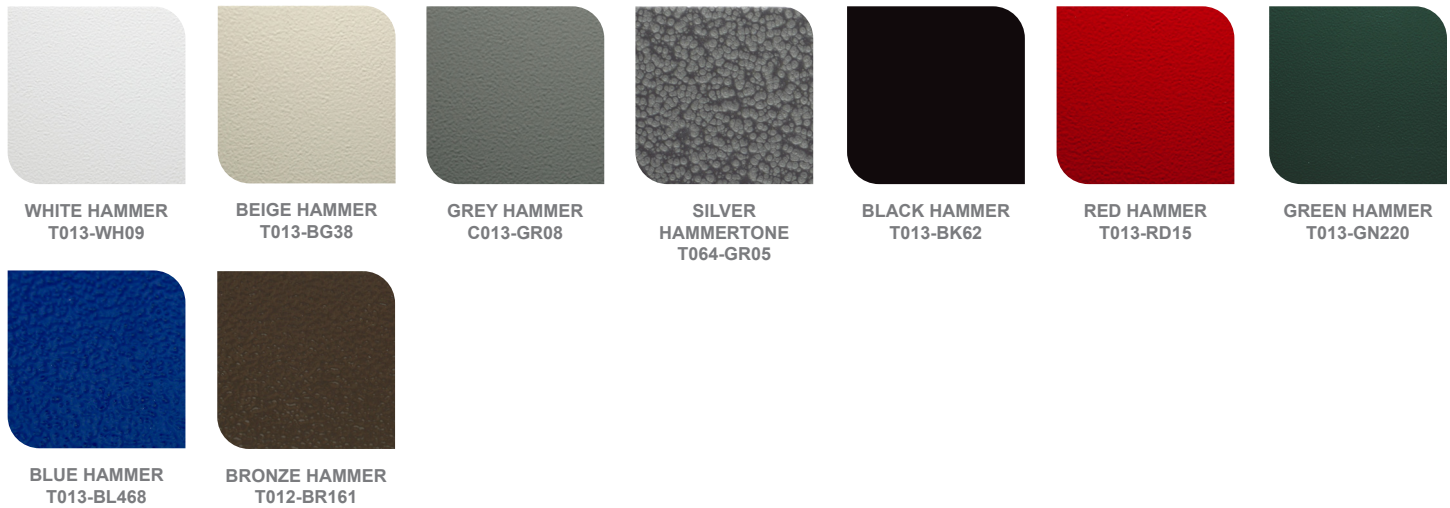


COLOR CHART: * Choose from one of our Premium Colors with no set-up fee.

Gloss:



Hammer:



Texture:



Vein:

