

DLSE SERIES Residential Lighting

DLSE6-MCT-BN

Customer Name: _____

Project Name: _____

Note: _____

Type: _____

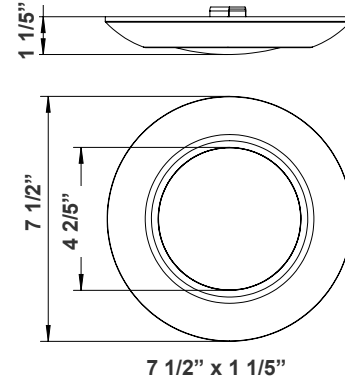


Selection:



MCT

Disk lights have been designed to be a flexible lighting solution for retrofit and new construction applications, Ideal for closets, storage areas, attics, corridors, or general lighting solutions for residential and commercial applications.



Features

- Spun Steel, Powder-Coated
- Unique DOB (Driver On Board) LED Board Enclosed in Clear PC Cover for Better Damp Location Performance
- MCT: The Switch is On The LED Board Under The Lens
- White Translucent Acrylic Lens
- 5-Year Warranty
- JA8-E-2016 & Title 24 Compliant (approved approved by the state of California and registered with the California Energy Commissions (CEC))

Technical Specifications

Electrical:

- Voltage: 120V AC
- Power Factor: >0.90
- Wattage: 15W
- Efficacy: 67 LPW

Mechanical:

- Brushed Nickel Finish
- Spun Steel, Powder-Coated
- Fits on 4" Octagonal (4O) or 3" Octagonal (3O) Electrical Boxes
- Maximum Ambient Temperature: 104°F
- Suitable for Damp Location

Lighting:

- Lens: White Translucent Acrylic
- MCT: The Switch is On The LED Board Under The Lens
- LED: Unique DOB (Driver On Board) LED Board Enclosed in Clear PC Cover for Better Damp Location Performance
- Dimming: TRIAC Dimming (Using Standard TRIAC LED Dimmers)
- Total Lumens: 1000LM
- Color Temperatures: 3000K/ 4000K/ 5000K
- Color Rendering Index: CRI ≥ 90
- Rated Life: 50,000 Hrs

Applications:

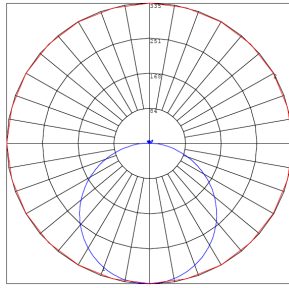
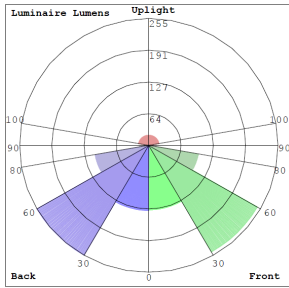
- Disk lights have been designed to be a flexible lighting solution for retrofit and new construction applications, Ideal for closets, storage areas, attics, corridors, or general lighting solutions for residential and commercial applications

Other Models:

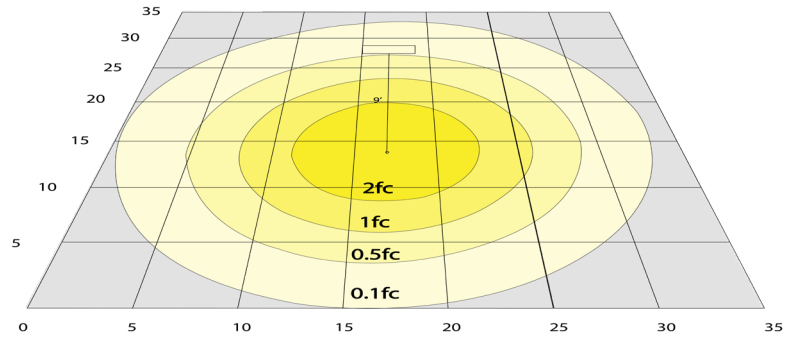
- 15W | 1000LM | DLSE6-MCT
- 15W | 1000LM | DLSE6-MCT-BR



Photometrics: DLSE6-MCT-BN



BUG Rating: B1-U2-G1



Other Views:



Side View



Front View



Back View

Performance Table: DLSE6-MCT-BN

MODEL NO.	Wattage	Voltage	Lumens	Color Temp.	BUG Rating	LPW
DLSE6-MCT-BN	15W	120V	1000LM	3000K 4000K 5000K	B1-U2-G1	67

Sample Ordering

Model Color Temp. Housing

DLSE6 - MCT - BN

Factory-Installed Options:

Blank = No Option For Accessories

OPT-EM-DLS6 = EMERGENCY OPTION - MOUNT IN EXTENDED BASE

Example:

- DLSE6-MCT-BN (FOR DLSE6 15W MCT FIXTURE 120V)
- DLSE6-MCT-BN OPT-EM-DLS6 (FOR DLSE6 15W MCT FIXTURE 120V)
(MOUNT IN EXTENDED BASE)

FACTORY-INSTALLED OPTION:



OPT-EM-DLS6

