

AA SERIES Landscape Lighting

AA-20L-ORB
AA-STEM-15-MCT-ORB

AA-20L-BK
AA-STEM-15-MCT-BK

AA-20L-AZ
AA-STEM-15-MCT-AZ

AA SERIES NEW GENERATION OF PATH LIGHTS

MCT Multi Color Temperature (Selectable)



AVAIL FINISH:

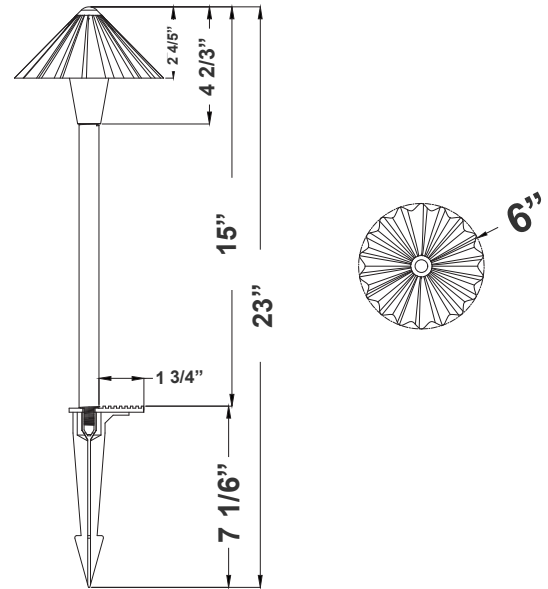


New Generation of Integrated LED Path Lights, Alum. Allow Selectable Color Temperature Or Push-Button RGBWW With Scenes, App-Controlled RGBW In 3 Finishes, Simulated Antique Brass, Black, and Metallic Oil-Rubbed Bronze. 2 Different Heights: 15" Or 22" Stems And Caps Are Sold Separately

Customer Name: _____

Project Name: _____

Note: _____ | Type: _____



6"(D) x 23"(H)

Features

- Die-Cast Aluminum
- Polycarbonate Lens
- Model 20 Aluminum Path Light Cap
- 15" 3CCT LED Path Light Stem

Technical Specifications

Electrical:

- Voltage: 12-24V AC
- Wattage: 5W
- Power Factor: >0.90
- Efficacy: 66.7 LPW

Mechanical:

- Die-Cast Aluminum
- 8-1/2" PC Spike Included
- 1/2" Threaded Stem
- Color: Oil-Rubbed Bronze, Black and Antique Brass
- Polycarbonate Lens
- Operating Temperature: -4°F to 104°F
- 1-Year Warranty
- Suitable for Wet location

Lighting:

- Multi CCT Switch Is On Top Of The Stem
- Total Lumens: 200LM
- Color Temperatures: 3000K/4000K/5000K
- Color Rendering Index: CRI ≥ 80
- Rated life: 30,000 Hrs

Applications:

New Generation of Integrated LED Path Lights, Alum. Allow Selectable Color Temperature Or Push-Button RGBWW With Scenes, App-Controlled RGBW In 3 Finishes, Simulated Antique Brass, Black, and Metallic Oil-Rubbed Bronze. 2 Different Heights: 15" Or 22" Stems And Caps Are Sold Separately

Other Models:

- 5W | 200LM | AA-18L-ORB + AA-STEM-15-MCT-ORB
- 5W | 200LM | AA-18L-BK + AA-STEM-15-MCT-BK
- 5W | 200LM | AA-18L-AZ + AA-STEM-15-MCT-AZ
- 5W | 200LM | AA-19L-ORB + AA-STEM-15-MCT-ORB
- 5W | 200LM | AA-19L-BK + AA-STEM-15-MCT-BK
- 5W | 200LM | AA-19L-AZ + AA-STEM-15-MCT-AZ
- 5W | 200LM | AA-21L-ORB + AA-STEM-15-MCT-ORB
- 5W | 200LM | AA-21L-BK + AA-STEM-15-MCT-BK
- 5W | 200LM | AA-21L-AZ + AA-STEM-15-MCT-AZ



Oil-Rubbed Bronze:



AA-20L-ORB
Model 19 Aluminum Path Light Cap

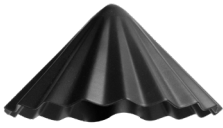


AA-STEM-15-MCT-ORB
15" 3CCT LED Path Light Stem



AA-20L-ORB
+
AA-STEM-15-MCT-ORB

Black:



AA-20L-BK
Model 19 Aluminum Path Light Cap



AA-STEM-15-MCT-BK
15" 3CCT LED Path Light Stem



AA-20L-BK
+
AA-STEM-15-MCT-BK

Antique Brass:



AA-20L-AZ
Model 19 Aluminum Path Light Cap



AA-STEM-15-MCT-AZ
15" 3CCT LED Path Light Stem



AA-20L-AZ
+
AA-STEM-15-MCT-AZ

Performance Table: AA-20L + AA-STEM-15-MCT

MODEL NO.	Wattage	Voltage	Lumens	Color Temp.	LPW
AA-20L + AA-STEM-15-MCT	5W	12-24V	200LM	3000K 4000K 5000K	66.7

Accessories:

Blank = No Option For Accessories

LSWN1 = Bag of 24, Waterproof Wire Connectors, For Up to Two 14-2 + One 16-2 Cables

LSWN2 = Box of 24, Waterproof Wire Connectors, For Up to Three 12-2 Cables

LSWN2-100 = Jar of 100, Waterproof Wire Connectors, For Up To Three 12-2 Cables

ACCESSORIES:



LSWN2-100

Jar of 100, Waterproof wire connectors, for up to three 12-2 cables



LSWN1

Bag of 24, Waterproof wire connectors, for up to two 14-2 + one 16-2 cables



LSWN2

Box of 24, Waterproof wire connectors, for up to three 12-2 cables

