

# WEC SERIES OUTDOOR LIGHTING

WEC-SW-PB1-010V-BT

SMART LIGHTING CONTROL WALL SWITCH 1000W 0-10V  
BLUETOOTH - DIM/ON-OFF/SCHEDULE



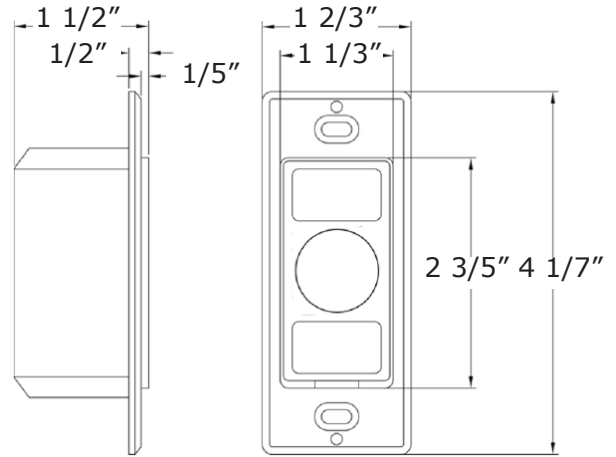
The smart lighting control wall switch allows you to control the light easily via mobile applications (Westgate Smart Phone App) and innovative speakers from Amazon and Google as long as the Internet and Bluetooth are available. This device supports any 0-10V lighting fixture.. Turn light on/off, Dim, or schedule dimming/on-off. one unit can be wired to multiple fixtures for a maximum 1000W.

Customer Name: \_\_\_\_\_

Project Name: \_\_\_\_\_

Note: \_\_\_\_\_

Type: \_\_\_\_\_



4 1/7" H x 1 1/2" D x 1 2/3" W

## Features

- Compatible with Westgate Smart App, Amazon Alexa, Amazon Echo, Google Home. Connects via Bluetooth
- Decorative white wall plate included
- 5-Year Warranty
- IP20, Suitable for indoor wall mounting

## Technical Specifications

### Electrical:

- Voltage: 120-277V AC 60Hz
- Wattage: 1000W
- Dimmable: 0-10V
- Bluetooth Connection Range: approximately 30 feet (10 meters). maximum communication range will vary depending on obstacles (person, metal, wall, etc.) or electromagnetic environment.

### Mechanical:

- On/Off & Dimming Buttons work as stand alone switch or with Westgate Smart Phone App
- Decorative white wall plate included
- 5-year Warranty
- IP20, Suitable for indoor wall mounting

### Applications:

- Storage rooms
- Offices
- Conference rooms
- Retail
- Reception Areas
- Hallways
- Education Facilities

### Other Views:



Side View



Front View



---

**Performance Table:** WEC-SW-PB1-010V-BT

MODEL NO.	Wattage	Voltage
WEC-SW-PB1-010V-BT	1000W	120~277V

---

## Sample Ordering

**Model    Style    Dimming    Connection Type**

WEC - SW - 010V - BT

---

### Example:

1. WEC-SW-PB1-010V-BT

(For WG SMART LIGHTING CONTROL WALL SWITCH 1000W 0-10V BLUETOOTH IP20)

