

ULHB SERIES

ECLIPTIC SERIES

WESTGATE
THE FUTURE IS HERE...AND IT'S QUITE BRIGHT!

ULHB-150W



Selection:

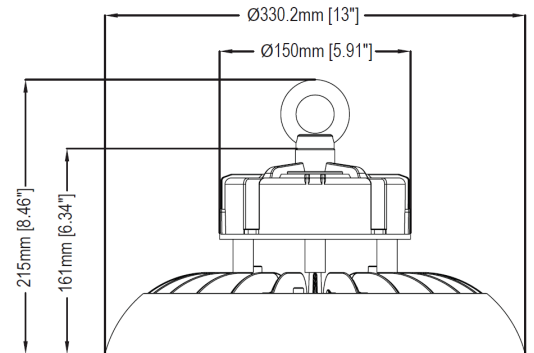


Customer Name: _____

Project Name: _____

Note: _____

Type: _____



8.46" (H) X 13" (D)

In a aluminium shell designed for heat dissipation, ULHB is IP67 water resistant rated and ideal for general site lighting, alleys, loading docks, doorways, pathways, parking areas, warehouses and storage buildings.

Features

- Die-cast aluminum with powder coat finish
- Waterproof, Aging resistant, salt mist resistance
- Accessories: 90° Reflector & Glass kit, Emergency Battery Backup kit, Sensor, Alumium Reflector, PC cover, Wire guard, Frosted Lens, Safety Cable, Surface Mount
- 120~277V driver inside of fixture
- CRI > 80
- 5-year warranty

Technical Specifications

Electrical:

- Input Wattage: 150W
- Input Current: 2.03A
- Input Voltage: 120-277VAC 50/60Hz
- Power factor: >0.9
- THD: <20%
- Efficacy: 130 LM/W

Mechanical:

- ACD12 aluminum with heat sink and a SUS black plate. Outdoor powder coating.
- High Conductive aluminum LED board
- Code Type: 6' SJTW 18, 3 AWG Cable
- Operating temperature: -4°F ~ 122°F
- Lifespan: 70,000 Hrs.
- IP rating: IP67, Wet Locations

Lighting:

- Dimming: 0~10V dimmable
- LED type/brand: SPMWH1228
- Total lumens: 19500 LM
- Color temperatures: 3000K, 4000K and 5000K
- Color rendering index: >80
- Beam Angle: 110°

Applications:

- General Site Lighting
- Alleys
- Loading docks
- Doorways
- Pathways
- Parking areas
- Warehouses
- Storage Buildings

Other Models:

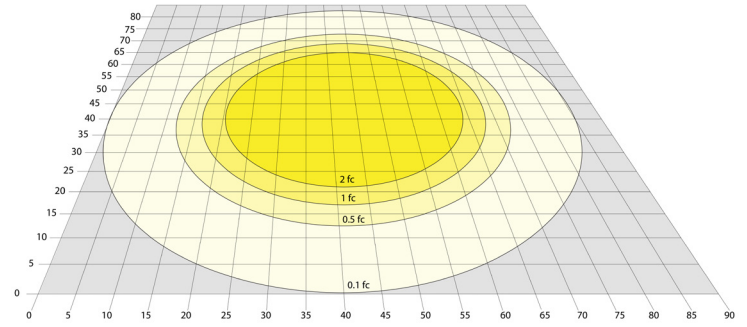
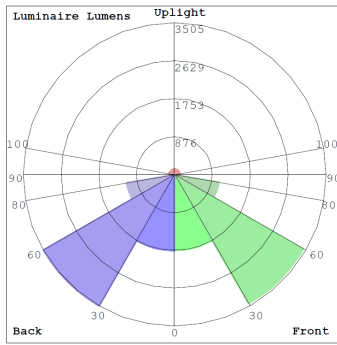
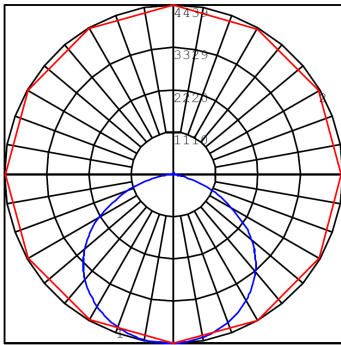
- 50W | 6500 LM | ULHB-50W
- 100W | 13000 LM | ULHB-100W
- 200W | 26000 LM | ULHB-200W
- 240W | 31200 LM | ULHB-240W
- 300W | 45000 LM | ULHB-300W



Phone: (877) 805-2252 | Fax: (877) 805-2252
www.westgatemfg.com | www.westgatecontrols.co



Photometrics: ULHB-150W



Other Views:



Top View



Side View



Bottom View

Performance Table: ULHB-150W | Available in black and white colors

MODEL NO.	Wattage	Voltage	Lumens	Color Temp	BUG Rating	LPW
ULHB-150W-30K	150W	120~277V	19500 LM	3000K	4-3-1	130
ULHB-150W-40K	150W	120~277V	19500 LM	4000K	4-3-1	130
ULHB-150W-50K	150W	120~277V	19500 LM	5000K	4-3-1	130

Sample Ordering

Model Performance Wattage Color Temp.

ULHB - 150W -

30K = 3000K
40K = 4000K
50K = 5000K

Accessory

Blank = No Accessory
 ULHB-PCR-100/150 = Polycarbonate Reflector for 100W & 150W
 ULHB-ALR-100/150 = Aluminum Reflector for 100W & 150W
 ULHB-90KIT-100/150 = 90° Degree Reflector and Glass Kit for 100W & 150W
 ULHB-WG-100/150 = Wire Guard for 100W & 150W
 ULHB-SC-100/150 = Safety Cable for 100W & 150W
 ULHB-PCC-100/150 = Polycarbonate Cover for 100W & 150W
 ULHB-SK = Ultrasonic Bi-Level (Dimming) Motion Sensor Kit for 120~277V UFO High Bays.
 Includes special junction box (mounts on fixture), auxiliary cable & push-in connectors
 ULHB-EMK = Emergency Battery Backup Kit for 120~277V UFO High Bays (All wattages)

Example:

- ULHB-150W-50K (For ULHB 150W 5000K fixture 120V-277V)
- ULHB-150W-50K (For ULHB 150W 5000K fixture 120V-277V)
- ULHB-ALR-100 (For Fixture Accessory)
- ULHB-150W-50K (For ULHB 150W 5000K fixture 120V-277V)
- ULHB-ALR-100 (For Fixture Accessory)
- ULHB-SK (For Motion Sensor)

OPTIONAL ACCESSORIES



ULHB-ALR-100/150



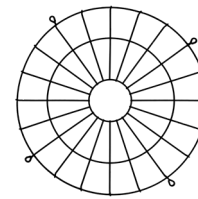
ULHB-PCR-100/150



ULHB-SC-100/150



ULHB-90KIT-100/150



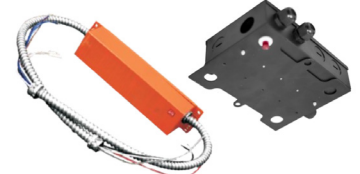
ULHB-WG-100/150



ULHB-PCC-100/150



ULHB-SK



ULHB-EMK

