

# ULHB SERIES

ECLIPTIC SERIES

**WESTGATE**  
THE FUTURE IS HERE...AND IT'S QUITE BRIGHT!

ULHB-100W



Selection:

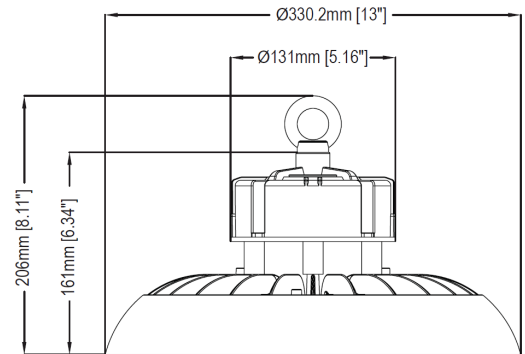


Customer Name: \_\_\_\_\_

Project Name: \_\_\_\_\_

Note: \_\_\_\_\_

Type: \_\_\_\_\_



8.11" (H) X 13" (D)

In a aluminium shell designed for heat dissipation, ULHB is IP67 water resistant rated and ideal for general site lighting, alleys, loading docks, doorways, pathways, parking areas, warehouses and storage buildings.

## Features

- Die-cast aluminum with powder coat finish
- Waterproof, Aging resistant, salt mist resistance
- Accessories: 90° Reflector & Glass kit, Emergency Battery Backup kit, Sensor, Alumium Reflector, PC cover, Wire guard, Frosted Lens, Safety Cable, Surface Mount
- 120~277V driver inside of fixture
- CRI > 80
- 5-year warranty

## Technical Specifications

### Electrical:

- Input Wattage: 100W
- Input Current: 2.03A
- Input Voltage: 120-277VAC 50/60Hz
- Power factor: >0.9
- THD: <20%
- Efficacy: 130 LM/W

### Mechanical:

- ACD12 aluminum with heat sink and a SUS black plate. Outdoor powder coating.
- High Conductive aluminum LED board
- Code Type: 6' SJTW 18, 3 AWG Cable
- Operating temperature: -4°F ~ 122°F
- Lifespan: 70,000 Hrs
- IP rating: IP67, Wet Locations

### Lighting:

- Dimming: 0~10V dimmable
- LED type/brand: SPMWH1228
- Total lumens: 13000 LM
- Color temperatures: 3000K, 4000K and 5000K
- Color rendering index: >80
- Beam Angle: 110°

### Applications:

- General Site Lighting
- Alleys
- Loading docks
- Doorways
- Pathways
- Parking areas
- Warehouses
- Storage Buildings

### Other Models:

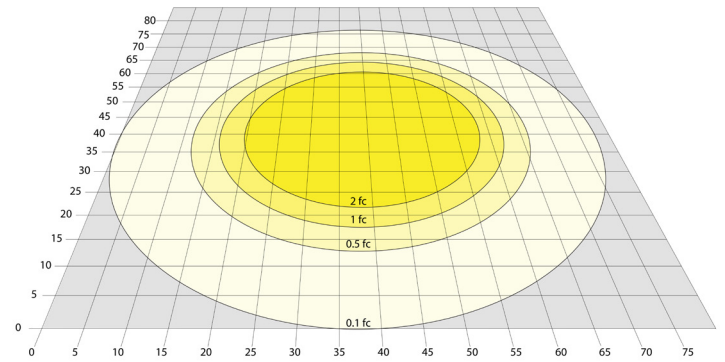
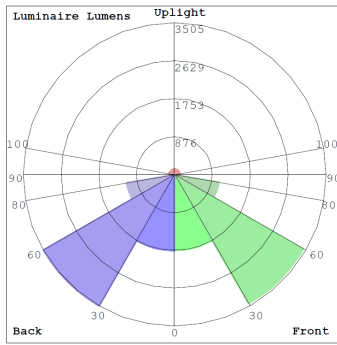
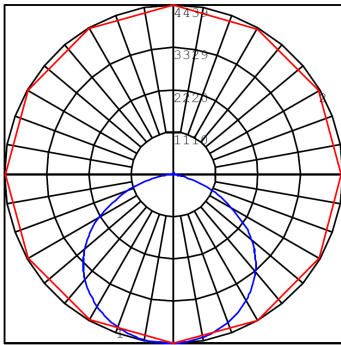
- 50W | 6500 LM | ULHB-50W
- 150W | 19500 LM | ULHB-150W
- 200W | 26000 LM | ULHB-200W
- 240W | 31200 LM | ULHB-240W
- 300W | 45000 LM | ULHB-300W



Phone: (877) 805-2252 | Fax: (877) 805-2252  
www.westgatemfg.com | www.westgatecontrols.co



## Photometrics: ULHB-100W



## Other Views:



Top View



Side View



Bottom View

## Performance Table: ULHB-100W | Available in black and white colors

MODEL NO.	Wattage	Voltage	Lumens	Color Temp	BUG Rating	LPW
ULHB-100W-30K	100W	120~277V	13000 LM	3000K	3-3-1	130
ULHB-100W-40K	100W	120~277V	13000 LM	4000K	3-3-1	130
ULHB-100W-50K	100W	120~277V	13000 LM	5000K	3-3-1	130

## Sample Ordering

Model Performance Wattage Color Temp.

ULHB - 100W -

30K = 3000K  
40K = 4000K  
50K = 5000K

## Accessory

Blank = No Accessory

ULHB-PCR-100/150 = Polycarbonate Reflector for 100W & 150W

ULHB-ALR-100/150 = Aluminum Reflector for 100W & 150W

ULHB-90KIT-100/150 = 90° Degree Reflector and Glass Kit for 100W & 150W

ULHB-WG-100/150 = Wire Guard for 100W & 150W

ULHB-SC-100/150 = Safety Cable for 100W & 150W

ULHB-PCC-100/150 = Polycarbonate Cover for 100W & 150W

ULHB-SK = Ultrasonic BI-Level (Dimming) Motion Sensor Kit for 120~277V UFO High Bays.

Includes special junction box (mounts on fixture), auxiliary cable & push-in connectors

ULHB-EMK = Emergency Battery Backup Kit for 120~277V UFO High Bays (All wattages)

## Example:

1. ULHB-100W-50K (For ULHB 100W 5000K fixture 120V-277V)
2. ULHB-100W-50K (For ULHB 100W 5000K fixture 120V-277V)
- ULHB-ALR-100 (For Fixture Accessory)
3. ULHB-100W-50K (For ULHB 100W 5000K fixture 120V-277V)
- ULHB-ALR-100 (For Fixture Accessory)
- ULHB-SK (For Motion Sensor)

## OPTIONAL ACCESSORIES



ULHB-ALR-100/150



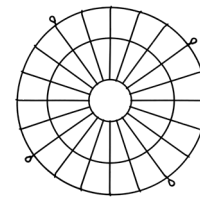
ULHB-PCR-100/150



ULHB-SC-100/150



ULHB-90KIT-100/150



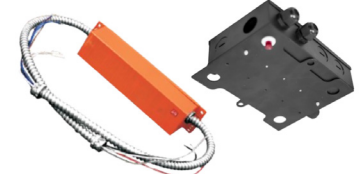
ULHB-WG-100/150



ULHB-PCC-100/150



ULHB-SK



ULHB-EMK

