

JOB NAME: \_\_\_\_\_

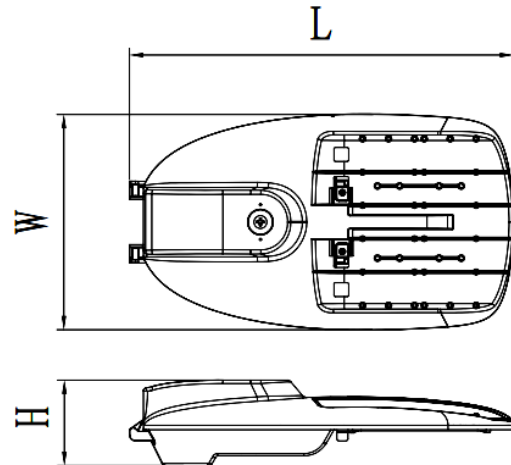
DATE: \_\_\_\_\_

TYPE: \_\_\_\_\_



**DIMENSIONS:**

18.19"(L) x 9"(W) x 4.6"(H)



**STL2-50W-50K**

**LED STREET/ROADWAY LIGHTS WITH  
w/NEMA TWIST-LOCK PHOTOCELL SOCKET**

Ideal for general site lighting, street, roadway, alleys, loading docks, doorway, pathway and parking areas.

**ELECTRICAL SPECIFICATIONS:**

- Voltage: 100~277VAC
- Wattage: 50W
- Power factor: >0.90
- Efficacy: 135LM/W

**HOUSING SPECIFICATIONS:**

- Die-Cast Aluminum
- Powder Coat Finish (Light Grey)
- w/NEMA Twist-lock photocell socket, shorting cap incl.
- 6KV lightning surge protection
- Operating temperature: -40°F to 104°F
- Lifespan: 70,000 hr.
- IP Rating: IP65

**CERTIFICATIONS:** UL, DLC



**OPTIONAL ACCESSORY:**



| MODEL    | DESCRIPTION                         |
|----------|-------------------------------------|
| PC-TWIST | 1800W Tungsten twist lock photocell |

**LIGHTING SPECIFICATIONS:**

- Lens: Optical TYPE III Lens
- Total lumens: 6750LM
- Color temperature: 5000K
- Color rendering index: >70

**WARRANTY:** 7 years



## STL2-50W-50K

LED STREET/ROADWAY LIGHTS WITH  
 w/NEMA TWIST-LOCK PHOTOCELL SOCKET

| MODEL        | WATTS | VOLTAGE   | LUMENS | COLOR TEMP |
|--------------|-------|-----------|--------|------------|
| STL2-50W-50K | 50W   | 100~277 V | 6750LM | 5000K      |

**PHOTOMETRY:**

