

JOB NAME: \_\_\_\_\_

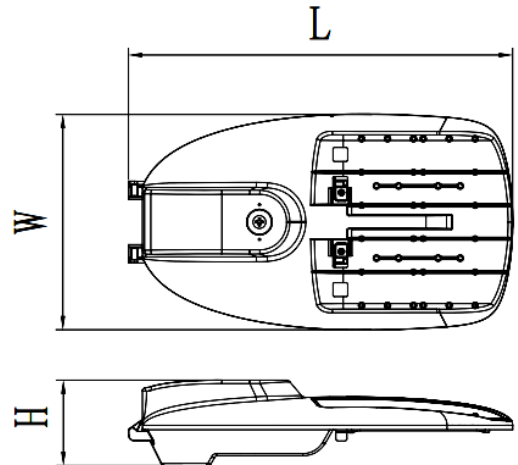
DATE: \_\_\_\_\_

TYPE: \_\_\_\_\_



**DIMENSIONS:**

18.19"(L) x 9"(W) x 4.6"(H)



**STL2-100W-50K**

**LED STREET/ROADWAY LIGHTS WITH  
 w/NEMA TWIST-LOCK PHOTOCELL SOCKET**

Ideal for general site lighting, street, roadway, alleys, loading docks, doorway, pathway and parking areas.

**ELECTRICAL SPECIFICATIONS:**

- Voltage: 100~277VAC
- Wattage: 100W
- Power factor: >0.90
- Efficacy: 135LM/W

**HOUSING SPECIFICATIONS:**

- Die-Cast Aluminum
- Powder Coat Finish (Light Grey)
- w/NEMA Twist-lock photocell socket, shorting cap incl.
- 6KV lightning surge protection
- Operating temperature: -40°F to 104°F
- Lifespan: 70,000 hr.
- IP Rating: IP65

**CERTIFICATIONS:** UL, DLC



MODEL	WATTS	VOLTAGE	LUMENS	COLOR TEMP
STL2-100W-50K	100W	100~277 V	13500LM	5000K

**OPTIONAL ACCESSORY:**



MODEL	DESCRIPTION
PC-TWIST	1800W Tungsten twist lock photocell

**LIGHTING SPECIFICATIONS:**

- Lens: Optical TYPE III Lens
- Total lumens: 13500LM
- Color temperature: 5000K
- Color rendering index: >70

**WARRANTY:** 7 years



## STL2-100W-50K

LED STREET/ROADWAY LIGHTS WITH  
 w/NEMA TWIST-LOCK PHOTOCELL SOCKET

MODEL	WATTS	VOLTAGE	LUMENS	COLOR TEMP
STL2-100W-50K	100W	100~277 V	13500LM	5000K

**PHOTOMETRY:**

