

# FMLE SERIES Residential Lighting

FMLE-R5-MCT5-E26

**WESTGATE**  
THE FUTURE IS HERE...AND IT'S QUITE BRIGHT!

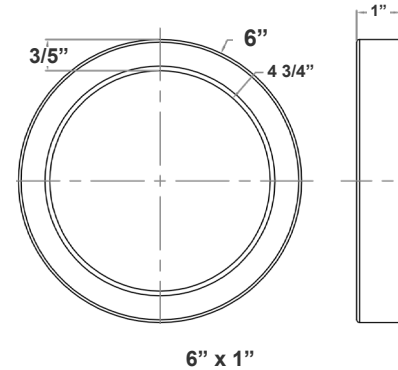


Customer Name: \_\_\_\_\_

Project Name: \_\_\_\_\_

Note: \_\_\_\_\_ Type: \_\_\_\_\_

Flush Mount lighting can use in most rooms of the house, especially those where you want ambient, general light. It's especially useful for hallways, kitchens, family rooms, bathrooms, closets, and bedrooms. Also Ideal for closets, storage areas, attics, corridors, or general lighting solutions for residential and commercial applications.



## Features

- Unique DOB (Driver On Board) LED Board Enclosed in Clear PC Cover for Better Performance
- Multi CCT (Selectable Switch on LED Board Under the Lens)
- Die-cast Aluminum. Powder-Coated
- 5-Year Warranty
- 1" Deep

## Technical Specifications

### Electrical:

- Voltage: 120V AC
- Power Factor: >0.90
- Wattage: 11W
- Efficacy: 60 LPW

### Mechanical:

- Composite Polycarbonate, White Finish
- Recessed Mounting Kit Included
- E26 Medium-Base Socket Converter Included
- Maximum Ambient Temperature: -4°F to 113°F
- 5-Year Warranty

### Lighting:

- Multi CCT (Selectable Switch on Driver)
- LED: Edge Lit LED Technology
- Dimming: TRIAC Dimming (Using Standard TRIAC LED Dimmers)
- Total Lumens: 650LM
- Color Temperatures: 2700/3000/3500/4000/5000K
- Color Rendering Index: CRI ≥ 90
- Beam angle: 120°
- Rated life: 50,000 hrs

### Applications:

- Flush Mount lighting can use in most rooms of the house, especially those where you want ambient, general light. It's especially useful for hallways, kitchens, family rooms, bathrooms, closets, and bedrooms. Also Ideal for closets, storage areas, attics, corridors, or general lighting solutions for residential and commercial applications

### Other Models:

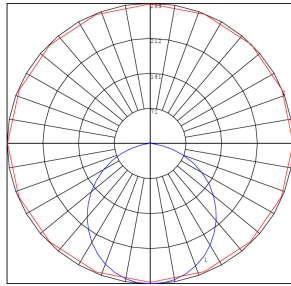
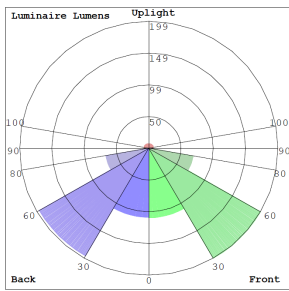
- 14W | 1100LM | FMLE-R7-MCT5-E26
- 17W | 1300LM | FMLE-R9-MCT5-E26
- 26W | 1500LM | FMLE-R12-MCT5-E26



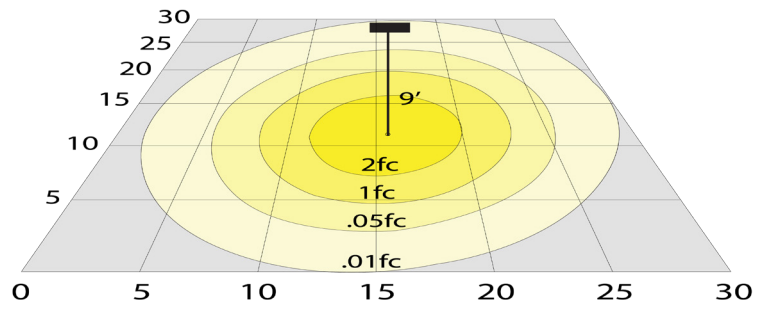
Phone: (877) 805-2252 | Fax: (877) 805-2252  
www.westgatemfg.com



## Photometrics: FML-R6-MCT



BUG Rating: B0-U1-G0

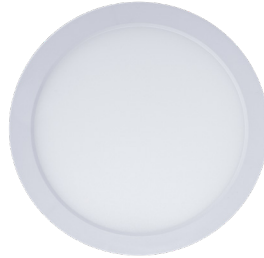


Simulation Based on 4000K Area 30'x 30' Mounting Height: 9'

## Other Views:



Side View



Front View



Back View

## Performance Table: FMLE-R5-MCT5-E26

MODEL NO.	Wattage	Voltage	Lumens	Color Temp.	BUG Rating	LPW
FMLE-R5-MCT5-E26	9W	120V	650LM	2700K 3000K 3500K 4000K 5000K	B0-U1-G0	72

## Sample Ordering

Model	Size	Color Temp.	Base
FML	R5	MCT5	E26

## Example:

1. FMLE-R5-MCT5-E26

(FOR FML R5 MCT5 FIXTURE 120-277V)

